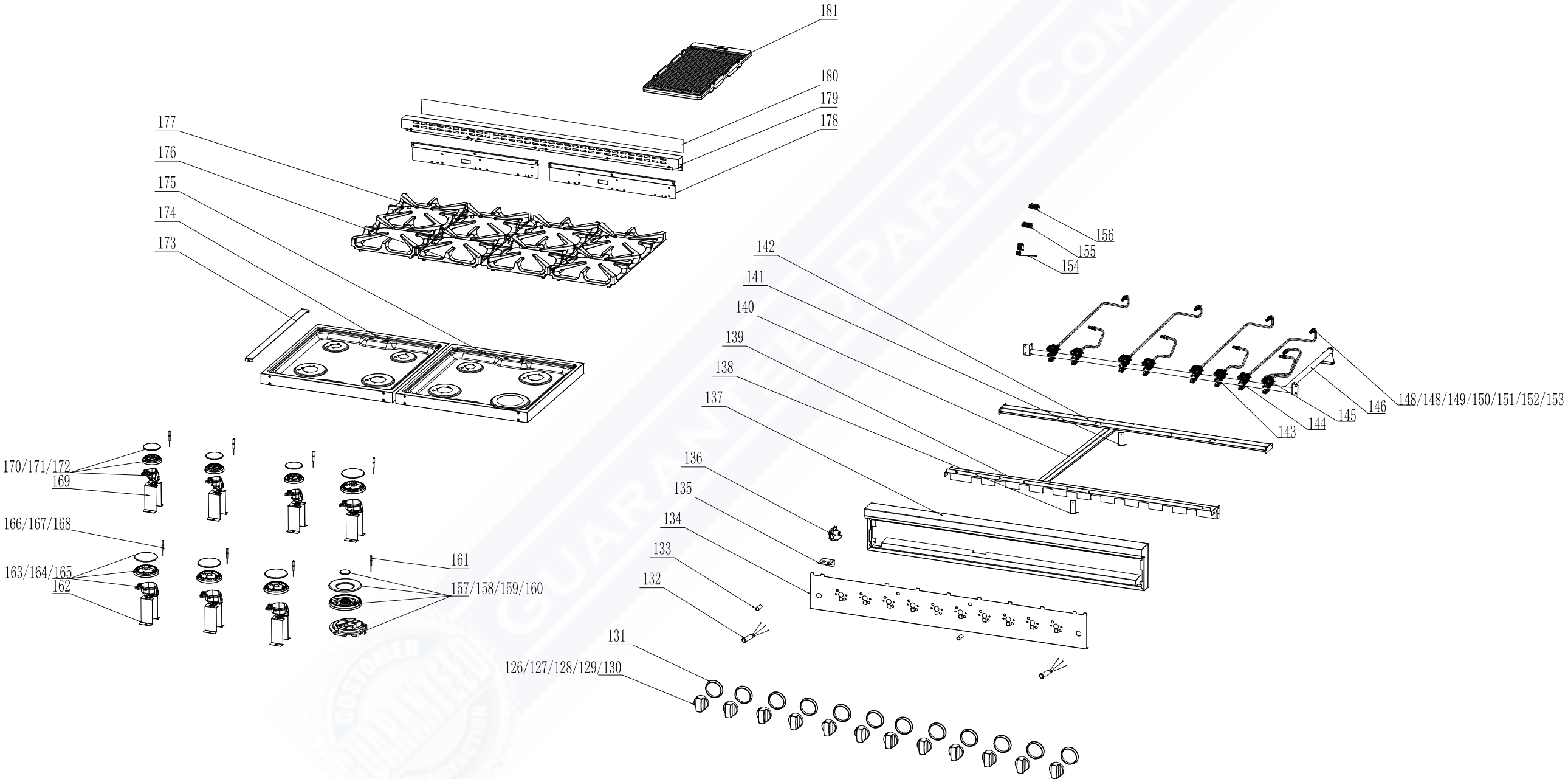
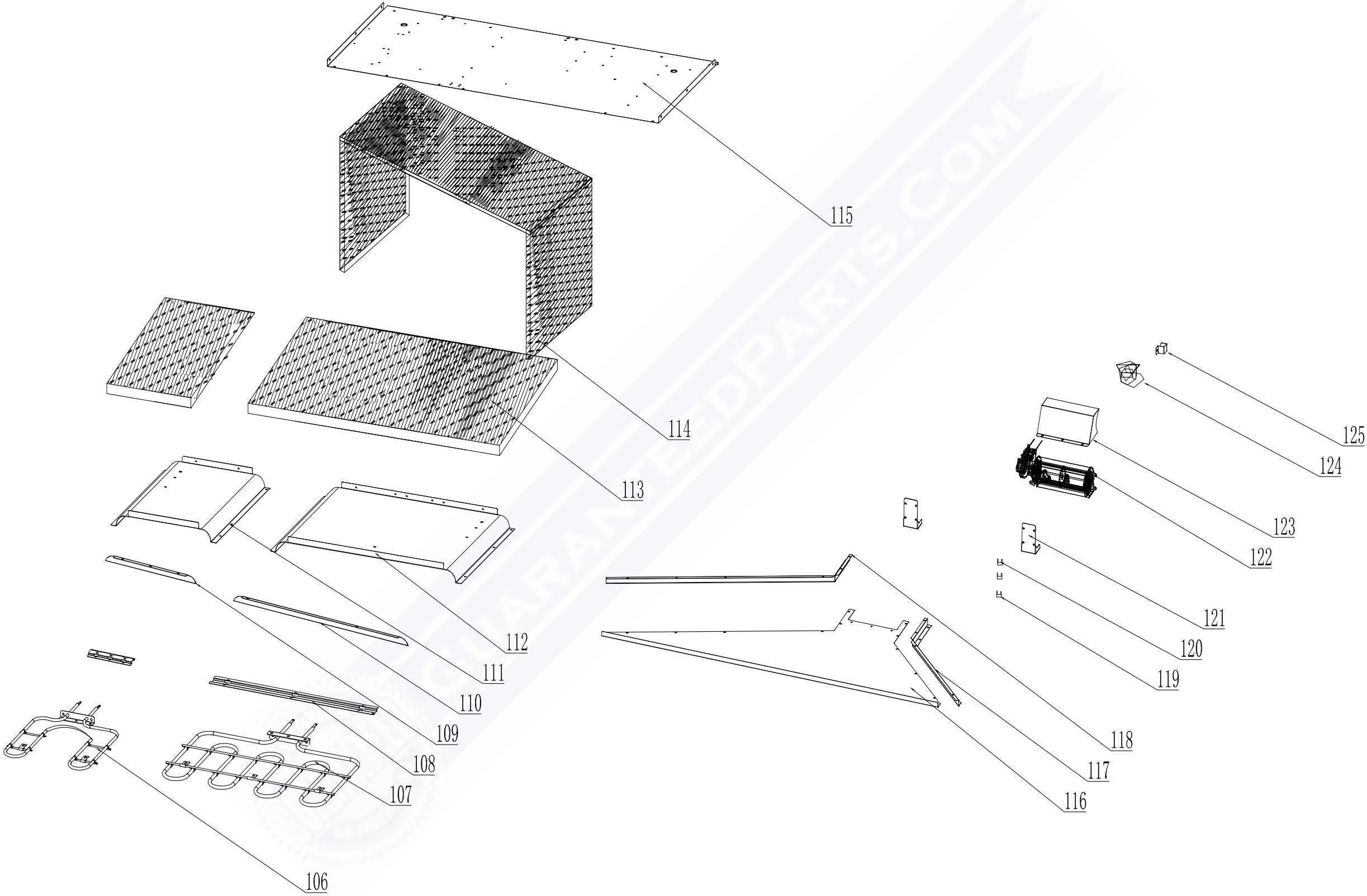


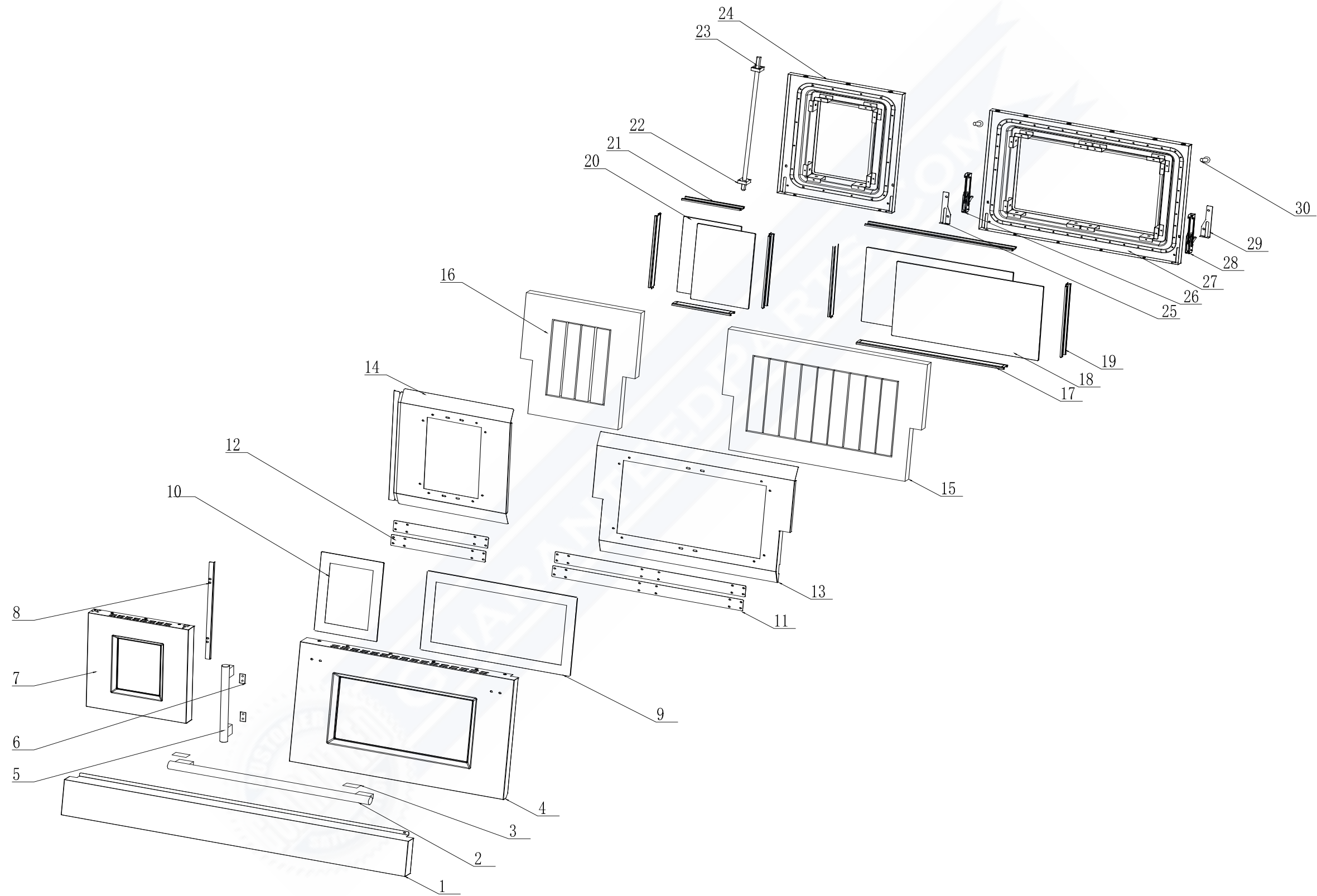
cook top



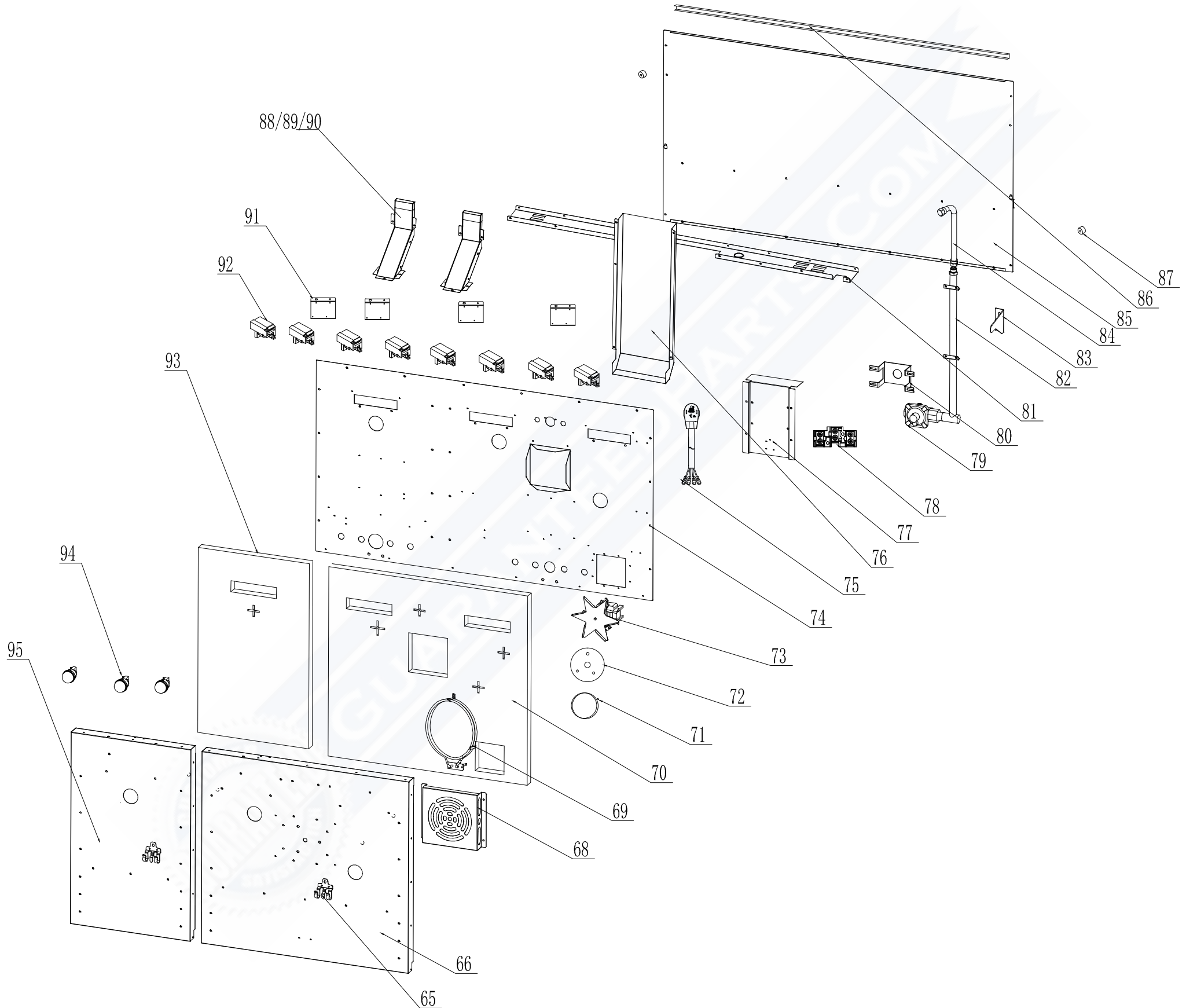
cavity top



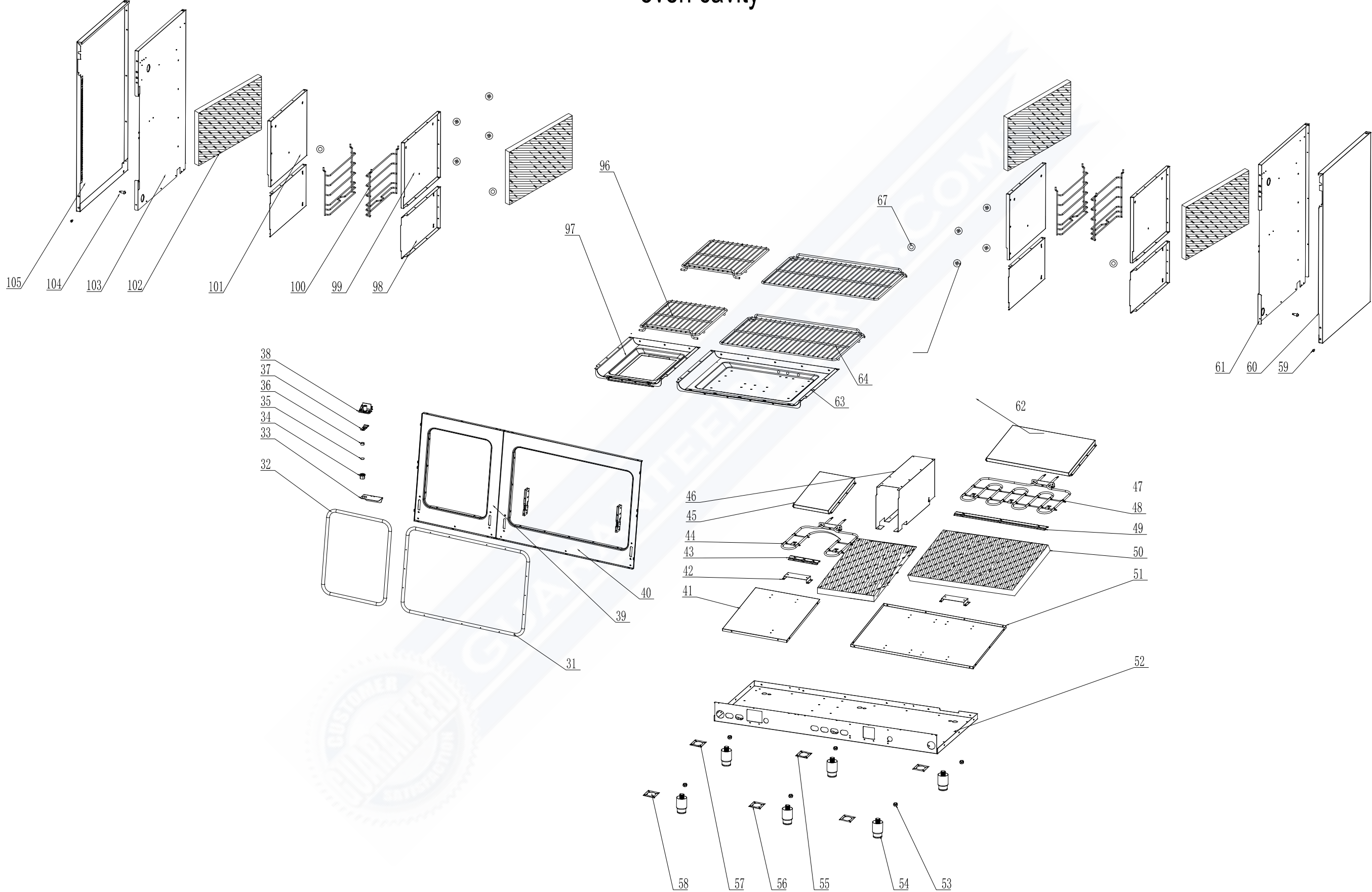
# door



cavity back



oven cavity



## FFSGS6356-48

No.	Part Description	SKU	Qty.
1	Drawer panel G48R43	G48R43-120100	1
2	Handle G30R04	G30R04-101900	1
3	handle rubber mat G36R03	G36R03-100700	2
4	door outside plate G48R03	G48R03-100401	1
5	Handle left G18R43	G18R43-101900	1
6	handle rubber mat G18R43	G18R43-100700	2
7	door outside plate G18R43	G18R43-100401	1
8	Handle strengthen bar G36R43	G36R43-100700	1
9	30" door outer glass	G30R03-101100	1
10	18" door outer glass	G18R03-101100	1
11	door outer glass black pressing plate G30R03	G30R03-101400-02	2
12	door outer glass black pressing plate G18R03	G18R03-101400-02	2
13	30" door insulation plate	G30X03-101401	1
14	18" door insulation plate	G18R43-101400	1
15	30" door glass wool	G30X03-103500	1
16	18" door glass wool	G18R43-103500	1
18	30" inner door glass	G30R03-100500	2
20	18" inner door glass	G18R03-100500	2
22	roast axis fixed mount G48R44	G48R44-002100	1
23	roast axis component G48R43	G18R43-110000-Z	1
24	Door frame G18R43	G18R43-100600-Z	1
26	30" door hinge L	G30R03-110000	1
27	Door frame G30R03	G30R03-100600-Z	1
28	30" door hinge R	G30R03-110010	1
30	Door rubber decoration cap	02.04.07.109000	2
31	door seal bar G48R03	G48R03-071200	1
32	door seal bar G18R03	G18R03-071200	1
34	adjustable base G36R44	G36R44-002100	1
36	rotate axis coat G48R43	G48R43-002200	1
38	Door lock component G48R43	G48R43-111000	1
39	front plate component G18R43	G18R43-070100-Z	1
40	front plate component G48R03	G48R03-070100	1
44	18" oven heat element 1700W	C18R05-091000	1
45	18" oil baffle plate-X04	C18X04-215100	1
47	30" oil baffle plate-X04	C30X04-215100	1
48	30" oven heat element 2000W	C30R05-091200	1
50	glass wool for cavity down plate G36X01	G30X01-036000	1
53	leg round fixed screw	BZ-0000000912	6
54	oven leg G36X03	G36X03-071500	6
59	drawer panel fixed screw G36X03	G36X03-130100	2
60	right outside plate G36X03	G36X03-071002	1
62	side rack protect cover G36X03	G36X03-073900	8
64	Baking rack G30X03	G30X03-071900	2
65	thermo-sensor fixed board	G20A01-031100	2
67	net hook	02.04.07.073700	4
68	convection fan cover G24H08	G20H08-091700	1
69	back heat element	C20A01-091602	1

70	glass wool for cavity back plate G30X03	G30X03-072900	1
71	fan motor glass wool	G36X03-072800	1
73	Convection fan G20A01	G20A01-091501	1
75	power cord #14	G20A14-160100	1
78	power cord terminal	E20F01-106400	1
79	Regulator G36X03	G36X03-034000	1
82	cavity back gas manifold-1	G36X03-030801	1
83	anti-tip support G36X03	G36X03-212501	1
84	3/4" corrugated pipe 170mm G36X03	G36X03-215300	1
85	baffle plate C48R05	C48R05-072001	1
86	baffle plate strengthen part G48X03	G48X03-072300	1
87	anti-wall rubber mat G36X03	G36X03-212600	2
92	Ignition G36R03	G36R03-170101	8
93	glass wool for cavity back plate G18X03	G18X03-072900	1
94	Lamp round G36X03	G36X03-180100	3
96	Baking rack G18X03	G18X03-071900	2
100	side rack G36X03	G36X03-073800	4
102	glass wool for cavity left upper side G36X03	G36X03-073300	6
104	screw for anti-tip step G36X03	G36X03-111000	1
105	left outside plate G48R43	G48R43-071001	1
106	18" broiler heat element 1700W	C18R05-091002	1
107	broil heat element (inside+outside)	C36R05-091000	1
109	front panel strip G18X03	G18X03-214500	1
110	front panel strip G30X03	G30X03-214500	1
113	glass wool for cavity upper side G48X03	G48X03-036000	1
114	glass wool for cavity body G48X03	G48X03-070800	1
119	Thermo-controller 140°C	E24F01-076200	2
120	Thermo-controller C36R05	C36R05-076200	1
122	cooling fan	C36R05-200900	1
124	48" harness C48R43	C48R43-180300	1
125	plastic wire hook	G36R03-160200	5
126	knob for thermostat-R03	C36R03-030101	2
127	18" knob for oven function-R03	C36R03-030104	1
128	36" knob for oven function-R03	C36R03-030105	1
129	knob for single gas outlet G36R03	G36R03-030100	7
130	knob for double gas outlet G36R03	G36R03-030101	1
131	knob ring for main gas valve G36R03	G36R03-030200	12
132	Round press button G36R43	G36R43-170200	2
133	red indicator G36X03	G36X03-031000-7	2
134	control panel	C48R43-030300	1
136	Door lock component G48R43	G48R43-111001	1
137	control panel body component C48R43	C48R43-032301-Z	1
143	Cooktop valve 0.62 G48R07	G48R07-030401	3
144	Cooktop valve 0.68 G48R07	G48R07-030403	4
145	Cooktop valve 0.68+0.27 C36R04	C36R04-030400	1
146	control panel main gas pipe C48R05	C48R05-030700	1
147	R/R Al.pipe G36R03	G36R03-020400	2
148	R/F support Al.pipe G36R03	G36R03-020600	2
149	M/L/F Al. pipe C48R03	C48R03-020300	1
150	M/L/R Al. pipe C48R03	C48R03-020200	1

151	M/F Al.pipe C36R03	C36R03-020300	1
152	M/R Al.pipe C36R03	C36R03-020200	1
153	R/F main Al.pipe G36R03	G36R03-020500	1
154	thermo-control component switch	C36R05-030900	2
155	switch 3+0	C18R05-170800	1
156	switch 5+0	C36R05-170800	1
157	20,000btu burner component assembly	G36R03-040301	1
158		G36R03-040202	1
159		G36R03-040203	1
160		G36R03-040204	1
161	top burner spark plug 700 G36R04	G36R04-170501	1
163	15,000btu burner component assembly	G36R03-040101	4
164		G36R03-040102	4
165		G36R03-040103	4
166	top burner spark plug 380mm G36R03	G36R03-170500	2
167	top burner spark plug 660mm G36R03	G36R03-170501	5
168	spark plug clamp	G20A01-170600	7
170	9,000btu burner component assembly	G36R03-040001	3
171		G36R03-040002	3
172		G36R03-040003	3
173	cooktop decoration bar	G48R04-025000	1
174	Cooktop plate G48R03	G48R03-020100	1
175	Cooktop plate G24R03	G24R03-020100	1
176	cast iron grates G36R05	G36R05-021500	3
177	cast iron grates G48R05	G48R05-021500	1
179	backsplash board G48R03	G48R03-011500-Z	1
180	backsplash cover plate G48R03	G48R03-011600	1
181	griddle	G36R03-021400	1
	18" complete door component		1
	30" complete door component		1